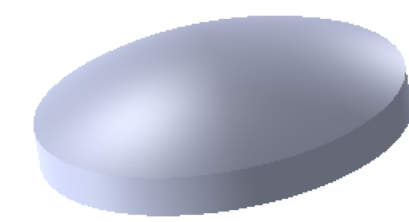
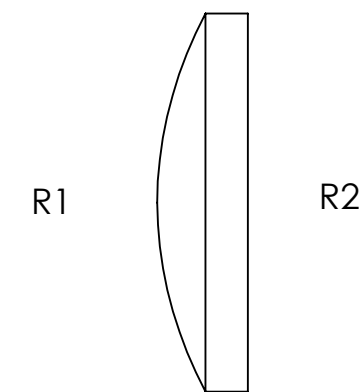
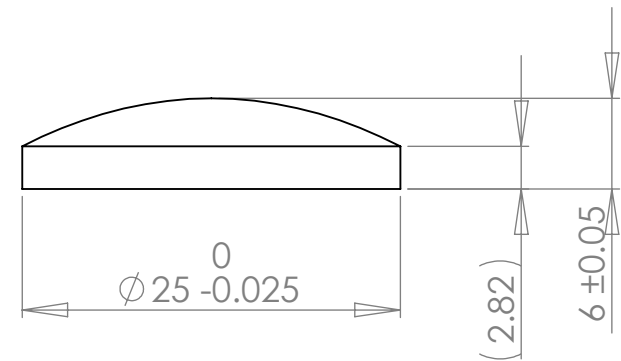


	8	7	6	5	4	3	2	1
	Base Radius (mm)	CX	CC	Irregularity (Fringes)	Clear Aperture (mm)	Surface Quality (typical)	Centration	
R1	25.22154	X		1	22.5	60/40	3	
R2	Infinity			1	22.5	60/40	3	

REVISIONS			
REV.	DESCRIPTION	DATE	APPROVED
E	Spec Updates	8/26/2019	DF



Notes:

Material: S-BSL7M

Coating: AR Coating: <0.5% reflectivity from 400-650nm ("A" coat) or 620-1080nm ("B" coat), Coat Both R1 & R2
OPTIONAL High Power Coating Upon Request

Break sharp edges

All dimensions in mm unless noted

1208 Sigma Ct.
Rockwall, TX 75087
Ph: (972) 722-1064
Web: www.archeroptx.com



PROPRIETARY AND CONFIDENTIAL
THE INFORMATION CONTAINED IN THIS DRAWING IS THE SOLE PROPERTY OF ARCHER OPTX, INC. ANY REPRODUCTION IN PART OR AS A WHOLE WITHOUT THE WRITTEN PERMISSION OF ARCHER OPTX, INC. IS PROHIBITED.

		UNLESS OTHERWISE SPECIFIED:	NAME	DATE	TITLE: Convex-Plano Asphere
		DIMENSIONS ARE IN MM TOLERANCES: FRACTIONAL ± ANGULAR: MACH ± BEND ± TWO PLACE DECIMAL ± THREE PLACE DECIMAL ±	DRAWN		
		INTERPRET GEOMETRIC TOLERANCING PER:	CHECKED		
		MATERIAL	ENG APPR.		
		FINISH	MFG APPR.		
NEXT ASSY	USED ON		Q.A.		SIZE B DWG. NO. P2550 REV E
APPLICATION		DO NOT SCALE DRAWING	COMMENTS:		
					SCALE: 2:1 WEIGHT: SHEET 1 OF 1