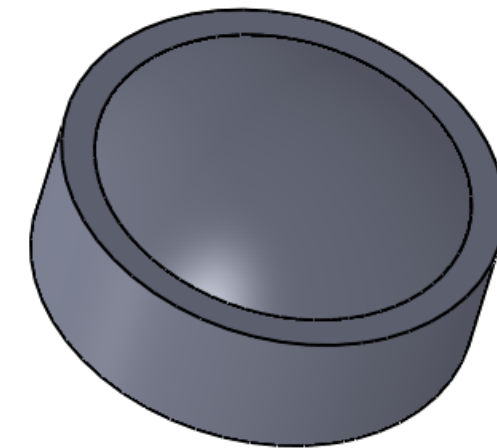


SECTION A-A  
SCALE 15 : 1

REVISIONS				
ZONE	REV.	DESCRIPTION	DATE	APPROVED
	A	Initial release	9/27/2010	DAT



Notes:

- 1) Material: S-LAL12M
- 2) Clear Aperture: 2.91mm
- 3) Centration/Wedge: <3 arc min
- 4) AR Coating: <0.5% Reflectivity from 370-500nm, per surface
- 5) Bevel: 0.1 - 0.3mm
- 6) All dimensions in mm unless noted

3402 Enterprise Dr.  
Rowlett, TX 75088  
Ph: (972) 463-8001  
Web: www.archeroptx.com



**PROPRIETARY AND CONFIDENTIAL**  
THE INFORMATION CONTAINED IN THIS DRAWING IS THE SOLE PROPERTY OF ARCHER OPTX, INC. ANY REPRODUCTION IN PART OR AS A WHOLE WITHOUT THE WRITTEN PERMISSION OF ARCHER OPTX, INC. IS PROHIBITED.

		UNLESS OTHERWISE SPECIFIED:		NAME	DATE	TITLE: <b>P4002</b>
		DIMENSIONS ARE IN MM	DRAWN			
		TOLERANCES:	CHECKED			
		FRACTIONAL ±	ENG APPR.			
		ANGULAR: MACH ± BEND ±	MFG APPR.			
		TWO PLACE DECIMAL ±	Q.A.			SIZE DWG. NO. REV <b>B</b> 092910-1 <b>A</b>
		THREE PLACE DECIMAL ±	COMMENTS:			
		INTERPRET GEOMETRIC TOLERANCING PER:				SCALE: 20:1 WEIGHT: SHEET 1 OF 1
		MATERIAL				
		FINISH				
NEXT ASSY	USED ON					
APPLICATION		DO NOT SCALE DRAWING				