

LPH-LD80-R-50-100

Laser Process Head for advanced Material Processing



| Laser Material Processing |

Your product benefits:

- Optimized beam shaping for your application

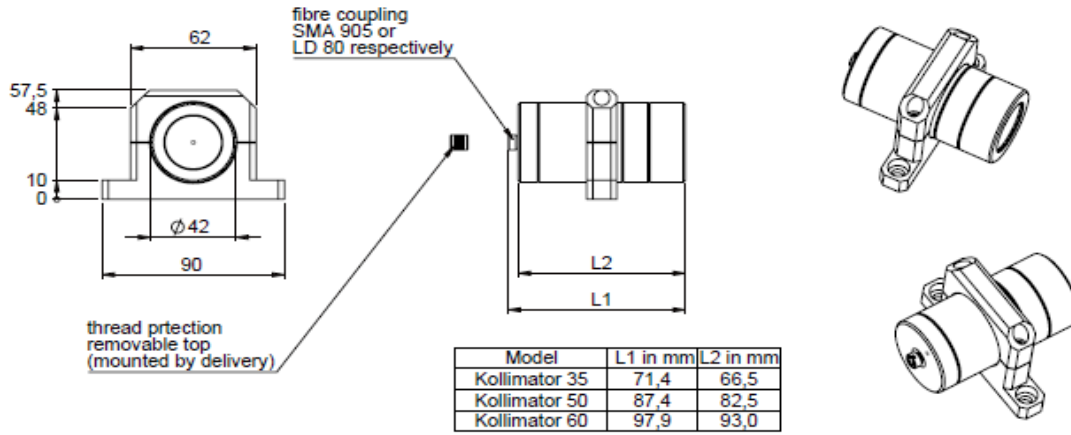
Laser Process Head	Unit	Value	Unit	Value
Optical Data		Mechanical Data		
Max. laser power (cw)	W	500	Housing material	anodized aluminum
Wavelength range	nm	790 - 990	Dimensions (length x width x depth)	mm 90x57.5x87.4
Max. numerical aperture of fibre		0,23	Mounting threads	4 x M5
Max. fiber core diameter	µm	600	Fiber connector types	LD80
Transmission rate		≥ 90% (typ. 95 %)	Thermal Operation and Storage Conditions	
Collimation focal length	mm	50	Operation ambient temperature range	°C 5...40
Focussing focal length	mm	100	Max. operation relative humidity	non condensing
Working distance	mm	80 (± 10)	Storage temperature range	°C 20...50
Spot size FWHM with 200 µm fibre	µm	400	Storage max. relative humidity	non condensing
Spot size (90% PE*) with 200 µm fibre	µm	560	Max. housing temperature in operation	°C 60
Spot size FWHM with 400 µm fibre	µm	800		
Spot size (90% PE*) with 400 µm fibre	µm	960		

* PE means power enclosed

Additional Features	Unit	Value	Unit	Value
Pyrometer Control Data		Power Monitoring Data		
Detection wavelength	nm	not available	Wavelength range	nm not available
Temperature measurement range	°C	not available	Sampling rate (standard)	kHz not available
Sampling rate (standard)	kHz	not available	Operation temperature range	°C not available
Calibration standard type		not available	Measurement accuracy	% not available
Interfaces Data		Related Product		
Interface type		not available	Process software	not available
Data cable type		not available		
Socket type		not available		
Communication protocol of laser driver		not available		

LPH-LD80-R-50-100

Laser Process Head for advanced Material Processing



LPH-LD80-R-50-100