
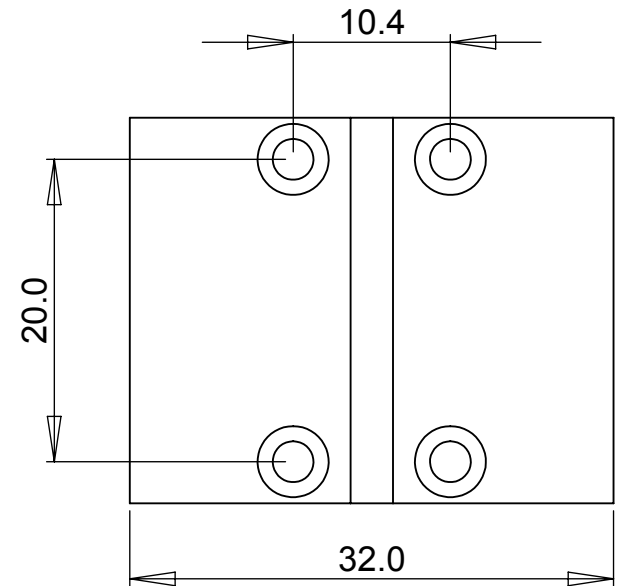
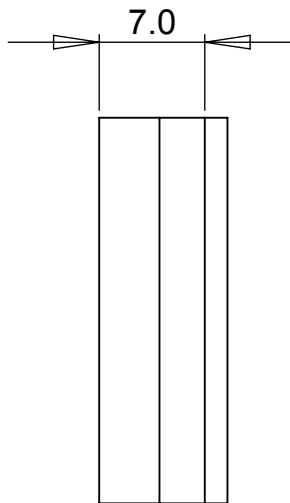
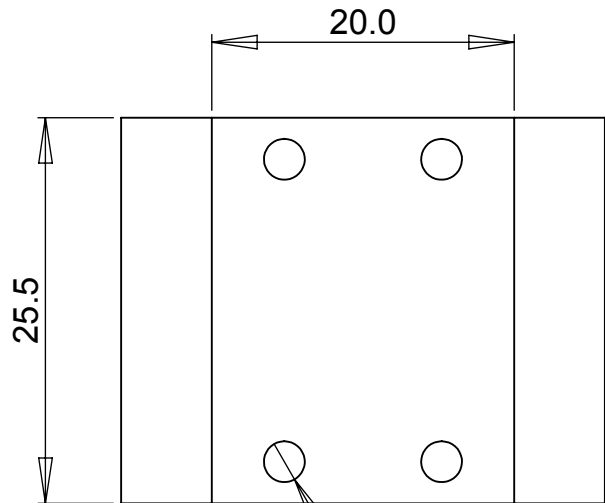


OUTLINE DRAWING
NOT FOR MANUFACTURE

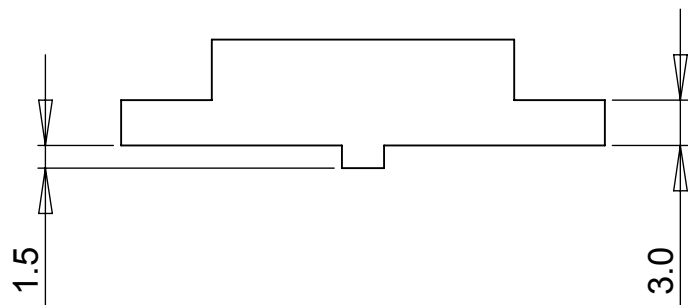
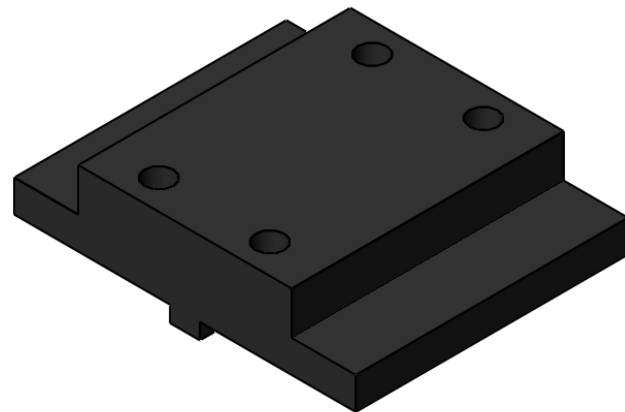
PROPRIETARY AND CONFIDENTIAL
THE INFORMATION CONTAINED IN THIS DRAWING IS THE SOLE PROPERTY OF COVESION LTD. ANY REPRODUCTION IN PART OR AS A WHOLE WITHOUT THE WRITTEN PERMISSION OF COVESION LTD. IS PROHIBITED.

UNLESS OTHERWISE SPECIFIED:	
DIMENSIONS ARE IN MILLIMETRES WHERE NOT STATED, DIMENSIONS ARE TAKEN TO BE SYMMETRICAL	
TOLERANCES: N/A	
MATERIAL	N/A
FINISH	N/A
DO NOT SCALE DRAWING	

TITLE: Flexure stage mounting adapter for PV10 oven		
		
SIZE	DWG. NO.	REV
A	PVP1R	1.0
SCALE: 2:1	20/01/2011:	SHEET 1 OF 1



4 x ϕ 2.7 THRU ALL
 \square ϕ 4.7 ∇ 2.7



OUTLINE DRAWING
 NOT FOR MANUFACTURE

PROPRIETARY AND CONFIDENTIAL

THE INFORMATION CONTAINED IN THIS DRAWING IS THE SOLE PROPERTY OF COVESION LTD. ANY REPRODUCTION IN PART OR AS A WHOLE WITHOUT THE WRITTEN PERMISSION OF COVESION LTD. IS PROHIBITED.

UNLESS OTHERWISE SPECIFIED:

DIMENSIONS ARE IN MILLIMETRES WHERE NOT STATED, DIMENSIONS ARE TAKEN TO BE SYMMETRICAL

TOLERANCES:
 N/A

MATERIAL N/A

FINISH N/A

DO NOT SCALE DRAWING

TITLE: Flexure stage mounting adapter



SIZE DWG. NO.

A PVP2R

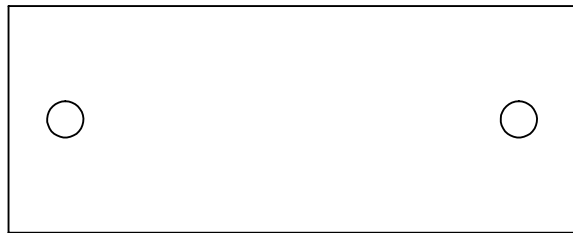
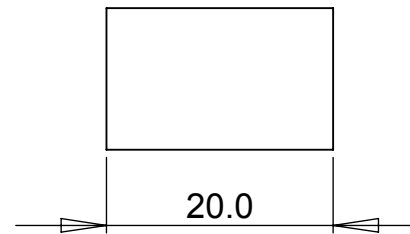
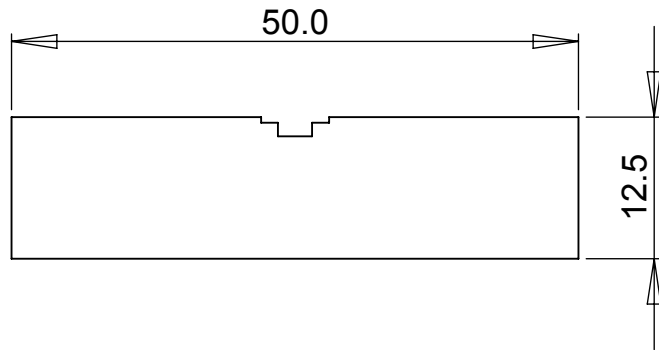
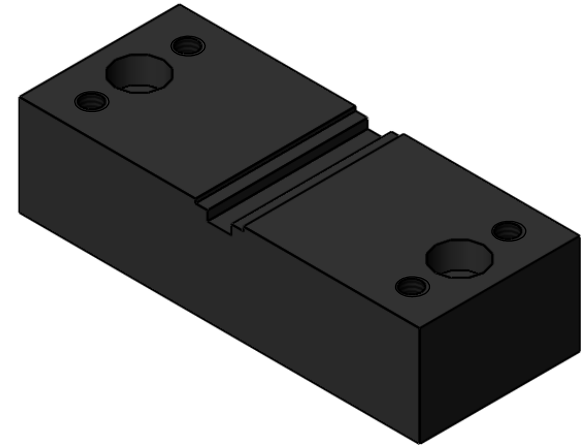
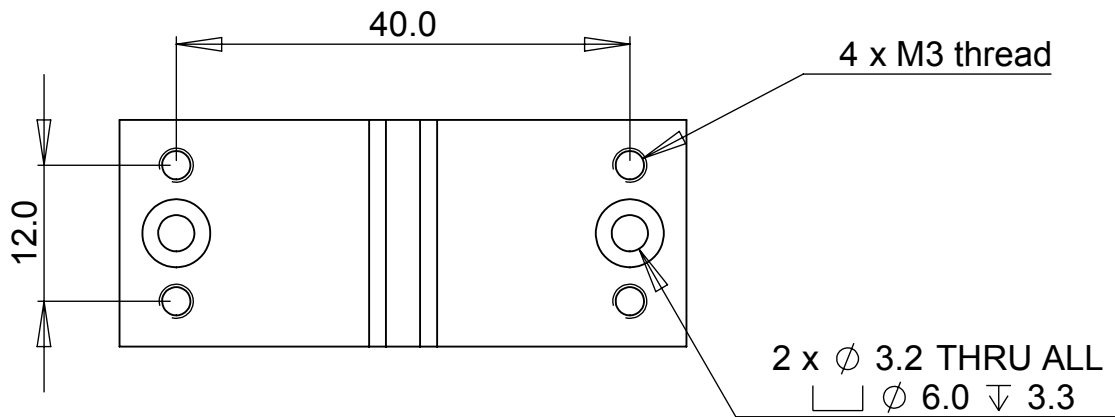
REV

1.0

SCALE: 2:1

20/01/2011:

SHEET 1 OF 1



OUTLINE DRAWING
NOT FOR MANUFACTURE

PROPRIETARY AND CONFIDENTIAL

THE INFORMATION CONTAINED IN THIS DRAWING IS THE SOLE PROPERTY OF COVESION LTD. ANY REPRODUCTION IN PART OR AS A WHOLE WITHOUT THE WRITTEN PERMISSION OF COVESION LTD. IS PROHIBITED.

UNLESS OTHERWISE SPECIFIED:

DIMENSIONS ARE IN MILLIMETRES WHERE NOT STATED, DIMENSIONS ARE TAKEN TO BE SYMMETRICAL

TOLERANCES:
N/A

MATERIAL N/A

FINISH N/A

DO NOT SCALE DRAWING

TITLE: 12.5mm riser plate for flexure stage mounts



DWG. NO.
RP12.5

REV
1.0

SCALE: 1.5:1 20/01/2011: SHEET 1 OF 1