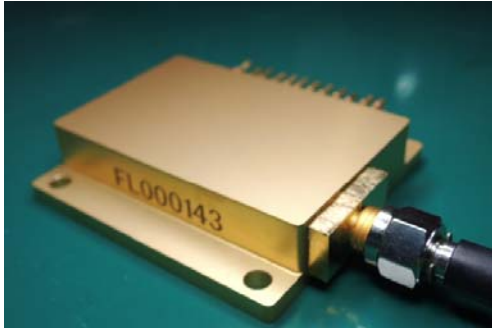


FocusFiber®

Fiber Coupled Multiple Single Emitter FCMSE58 Series (CW)



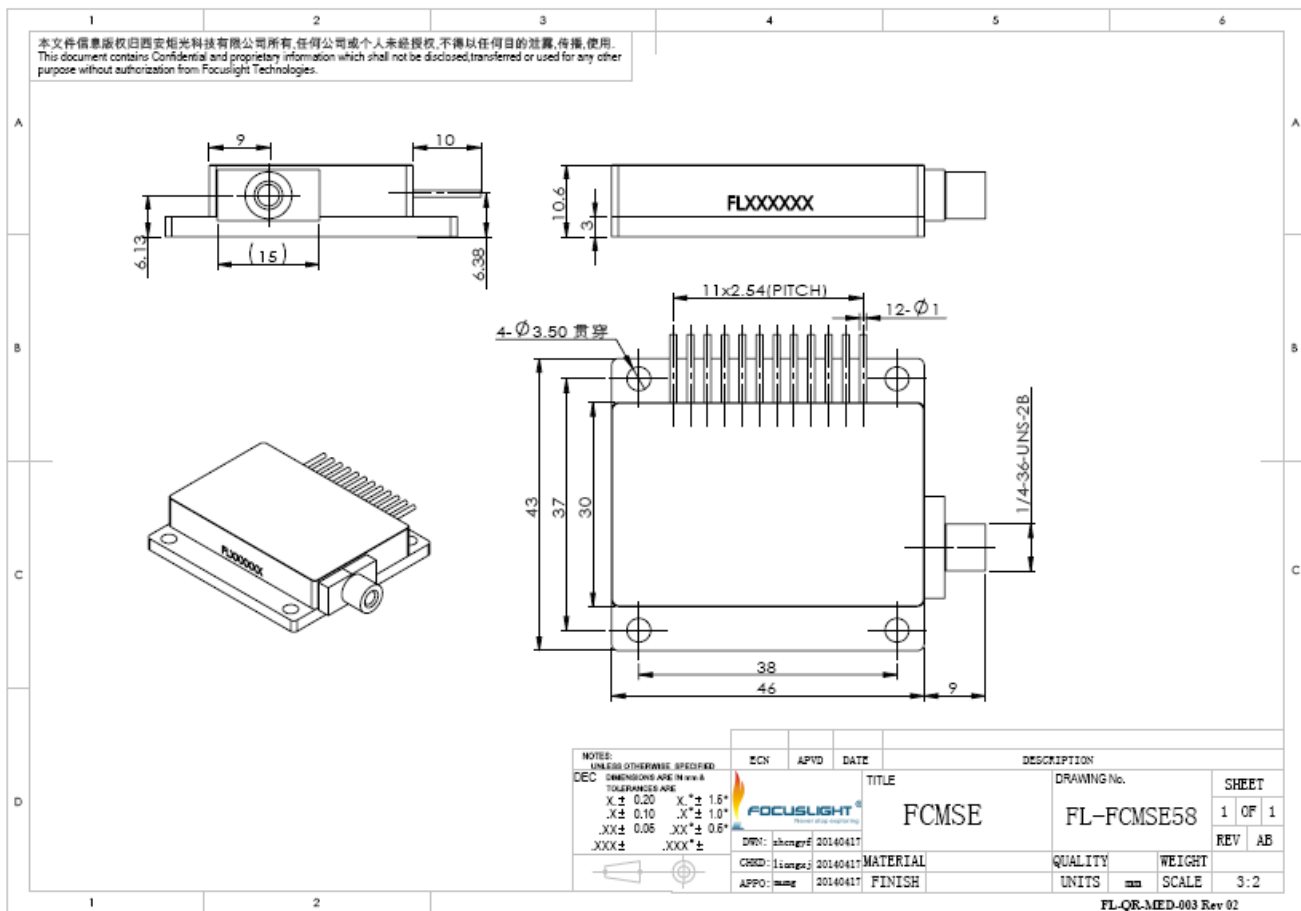
Features

- High power
- Aiming beam
- PD
- Thermistor
- Fiber detection sensor

Applications

- Medical
- Scientific research
- Pumping

Device Dimension (mm)



This structure drawing is only for reference. For any other special requirement, please feel free to contact us.

Specification

Module Type ¹	Units	FL-FCMSE58-25-808	FL-FCMSE58-30-976
Optical^{3,6}			
Center Wavelength λ	nm	808	976
Wavelength Tolerance	nm	± 3	± 5
Output Power ²	W	25	30
Spectral Width FWHM	nm	≤ 4	≤ 6
Wavelength Temp. Coefficient	nm/°C	~ 0.28	~ 0.34
Fiber Parameters			
Fiber Numerical Aperture	NA	0.22	0.22
Fiber Core Diameter	μm	200	200
Connector Type	-	SMA905	SMA905
Fiber length ⁵	m	1.5	1.5
Electrical Parameters^{3,6}			
Operating Current I_{op}	A	≤ 9	≤ 9
Threshold Current I_{th}	A	≤ 1.8	≤ 0.7
Operating Voltage V_{op}	V	≤ 8	≤ 8
Slope Efficiency	W/A	≥ 2.8	≥ 3.5
Power Conversion Efficiency	%	≥ 40	≥ 45
Operating Current I_{mo}	mA	0-15	0-15
Thermistor R_t	(K Ω)/ β (25°C)	10 \pm 0.5%/3862	10 \pm 0.5%/3862
Red Aiming Beam Parameters	mW	>2mW 650nm@5V	>2mW 650nm@5V
fiber detection	/	NO	YES
Thermal Parameters			
Operating Temperature	°C	15~30	15~30
Storage Temperature ⁴	°C	-20~80	-20~80
Recommended Heatsink Capacity	W	≥ 75	≥ 75

¹Explanation for the name of Module Type: FL(abbreviation of Focuslight) –FCMSE58(structure code) -25(output power) -808(center wavelength).

²Reduced lifetime if used above nominal operating conditions.

³Data at 25°C temperature, unless otherwise stated.

⁴A non-condensing environment is required for storage and operation below ambient dew point.

⁵Fiber length can be specified by customer.

For any other special requirements, please feel free to contact us



Copyright ©2017 Focuslight. All rights reserved

Focuslight Technologies Inc.

Add: 56 Zhangba 6th Road, High-Tech Zone

Add: Xi'an, Shaanxi 710077, P. R. China

Tel: +86 29 8956 0050

Fax: +86 29 8177 5810

Email: sales@focuslight.com.cn

Website: www.focuslight.com