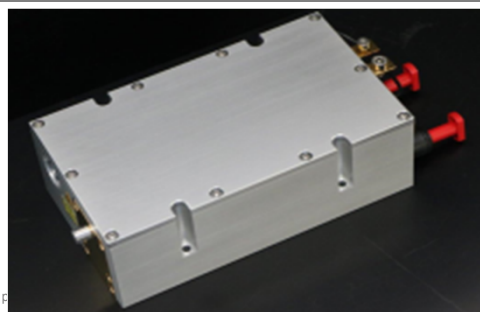


LIMO120-F200-DL808-S3002

High Power Diode Laser

LIMO

Lissotschenko Mikrooptik



Your product benefits:

- Plug and play fiber connector
- High e/o efficiency
- Hermetically sealed housing
- 100% emitter and fiber incoming inspection
- 100% laser outgoing inspection

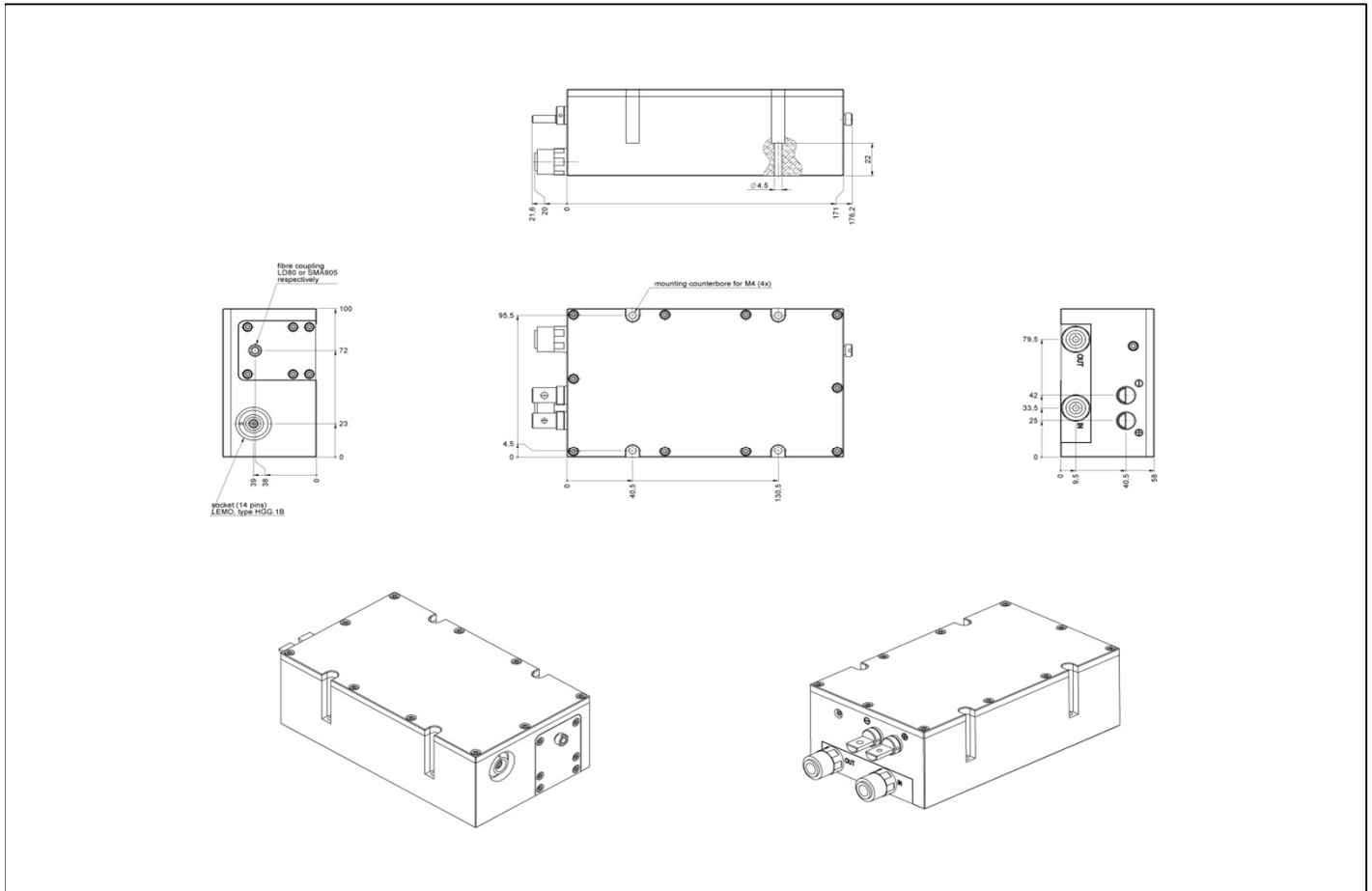
| Photonics Solutions |

LIMO laser and optics designed and engineered in Germany

| Laser Module | Unit | Value | Unit | Value |
|---|-------|---------------|------------------------------|----------------------------|
| Optical Data | | | Fiber Connection Data | |
| CW - nominal output power | W | 120 | Fiber core diameter | μm 200 |
| Center wavelength | nm | 808 | Numerical aperture | 0,22 |
| Wavelength tolerance (±) | nm | 10 | Fiber - optic connector | SMA |
| Spectral width (FWHM) | nm | 20 | Cladding mode (max) | % not specified |
| Wavelength temperature drift | nm/K | 0,3 | | |
| Thermal Operation Conditions | | | Package | |
| Nominal diode heat sink temperature | °C | 25 | Dimensions | mm ³ 197x100x58 |
| Diode heat sink operation temperature | °C | +15...30 | Weight basic package | kg 2,2 |
| Minimum heat sink capacity | W | 300 | Storage temperature | °C -20...+60 |
| Chiller flow capacity | l/min | 5 | | |
| Water pressure | bar | 4 | | |
| Electrical Data | | | | |
| Max. operation current start of life | A | 65 | | |
| Max. operation current end of life | A | 78 | | |
| Typical threshold current | A | 8 | | |
| Typical operation voltage | V | 6 | | |
| Typical slope | W/A | 2.4 | | |
| Typical O/E efficiency | % | 39 | | |
| Additional Features | | | | |
| Pilot Beam | | | Monitor Diode | |
| Output power (min) | mW | 1 | Operation voltage | V 5 |
| Wavelength | nm | 635 | Output signal (min) | V 0 |
| Voltage | V | 5 | Output signal (max) | V 2.5 |
| Current (max) | mA | 40 | | |
| Fiber Detection Sensor (PNP) | | | Other Features | |
| Voltage | V | Not available | Temperature sensors | NTC & PT100 |
| Current (max) | mA | Not available | Wavelength stabilization | Not available |
| Protection Filter | | | | |
| High reflection bandwidth (>99.0% s+p pol.) | nm | Not available | | |

LIMO120-F200-DL808-S3002

High Power Diode Laser



LIMO120-F200-DL808-S3002 prepared for water cooling

All data provided are typically measured with a diode heat sink temperature of 25 ° C. All measurements are made with a LIMO reference fiber 200 μ m, length 1.5 m, and non AR coated.

Copyright © 2017 LIMO GmbH. All rights reserved. All LIMO products are patent pending. Subject to change without notice.

Version April TT, JJJJ