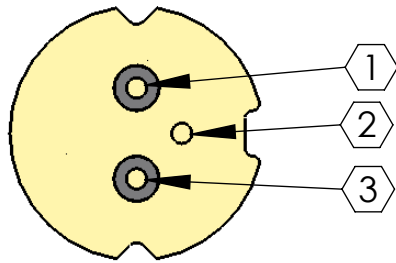
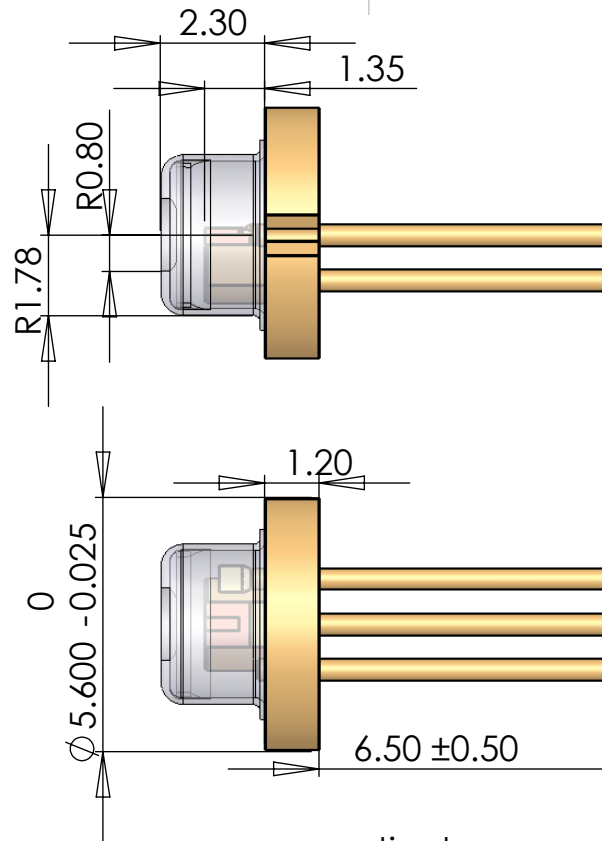


45 Bartlett Street
Marlborough, MA 01752
(P)508-481-9200
(F)508-481-9261
www.axcelphotonics.com

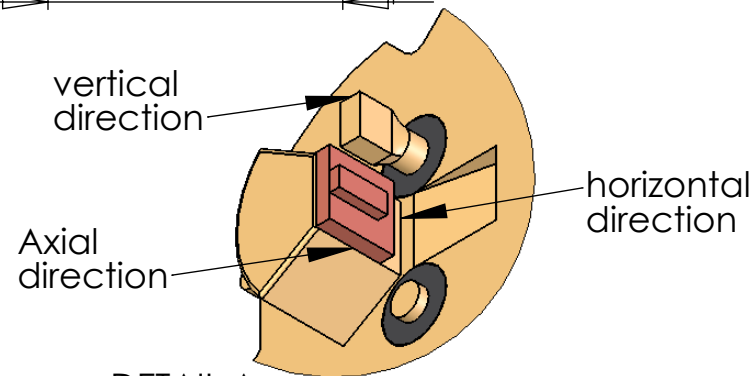
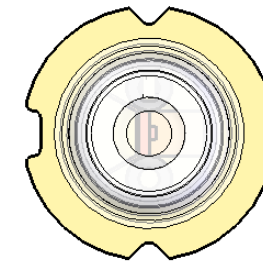
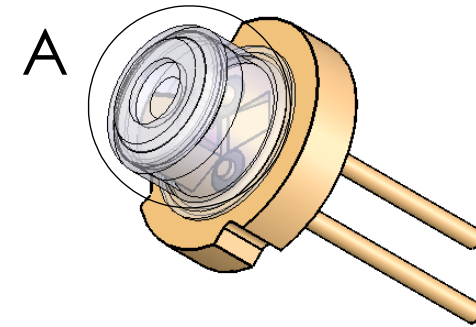
Pinout for P-down:
1 LD Cathode(-)
2 LD Anode(+)
2 PD Cathode (optional)
3 PD Anode (optional)



NOTES:
1 UNIT: mm
2 CHIP REFERENCE DIMENSION:
750um x 300um x 150 um



T11_W0S2_00c TO-18



DETAIL A
SCALE 12 : 1

for clarity reason
cap was hidden

THIS DRAWING IS THE PROPERTY OF AXCEL PHOTONICS. IT IS NOT TO BE COPIED,
USED OR REPRODUCED WITHOUT PRIOR WRITTEN APPROVAL.

axcel
photonics