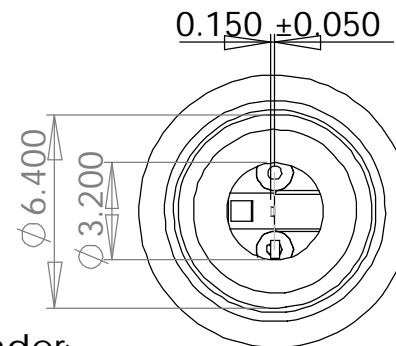
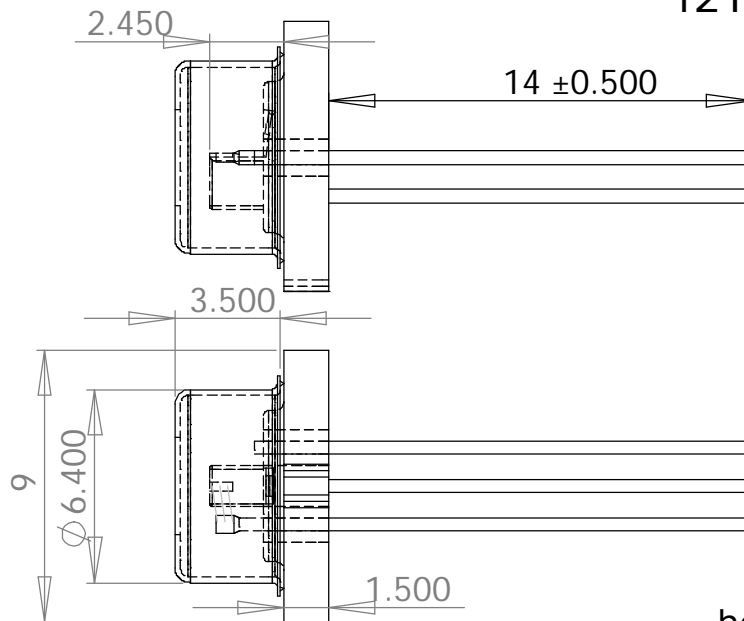
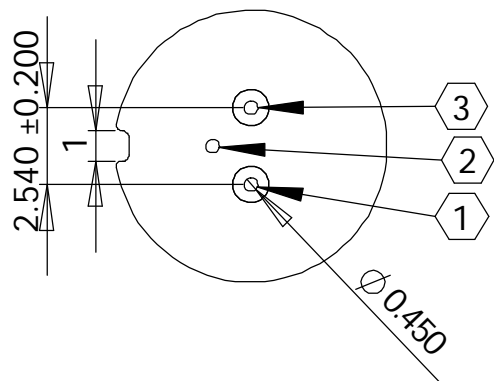


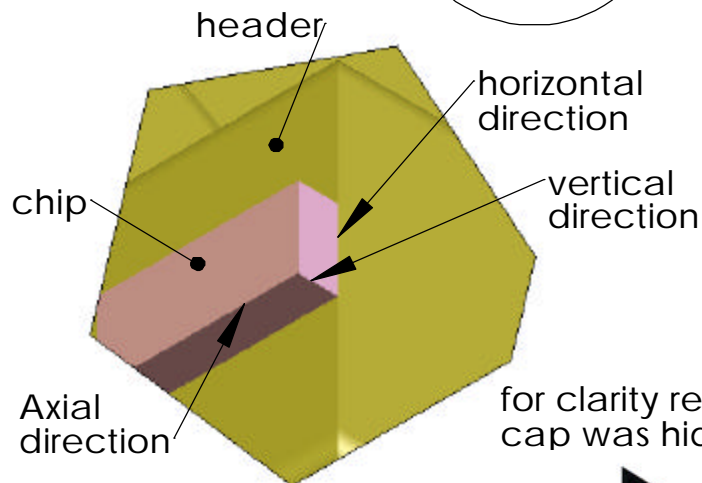
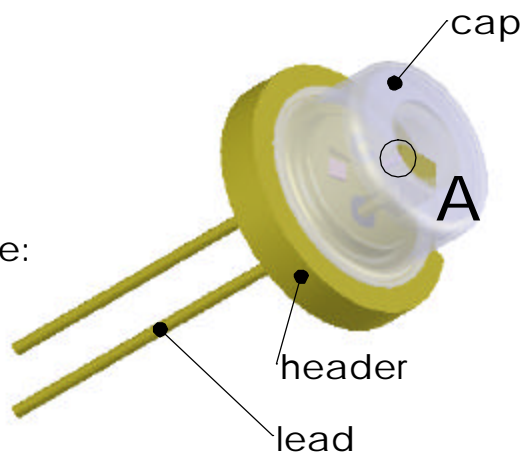
45 Bartlett Street
 Marlborough, MA 01752
 (P)508-481-9200
 (F)508-481-9261
 www.axcelphotonics.com

T21_WHP2_04b TO 9mm P-up



NOTES:
 1 UNIT: mm
 2 CHIP REFERENCE
 DIMENSION:
 750um x 300um x 150 um
 3 From 9 mm center to PD edge:
 0.75 mm +/- 0.05 mm

Pinout for P-up:
 1 LD Anode(+)
 2 LD Cathode(-)
 2 PD Anode (optional)
 3 PD Cathode (optional)



DETAIL A
 SCALE 50 : 1

THIS DRAWING IS THE PROPERTY OF AXCEL PHOTONICS. IT IS NOT TO BE COPIED, USED OR REPRODUCED WITHOUT PRIOR WRITTEN APPROVAL.

