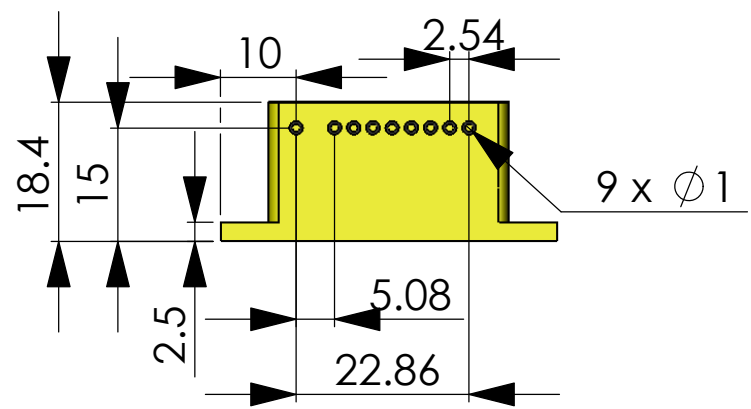
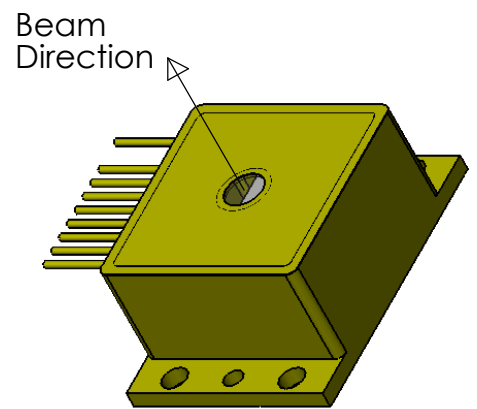
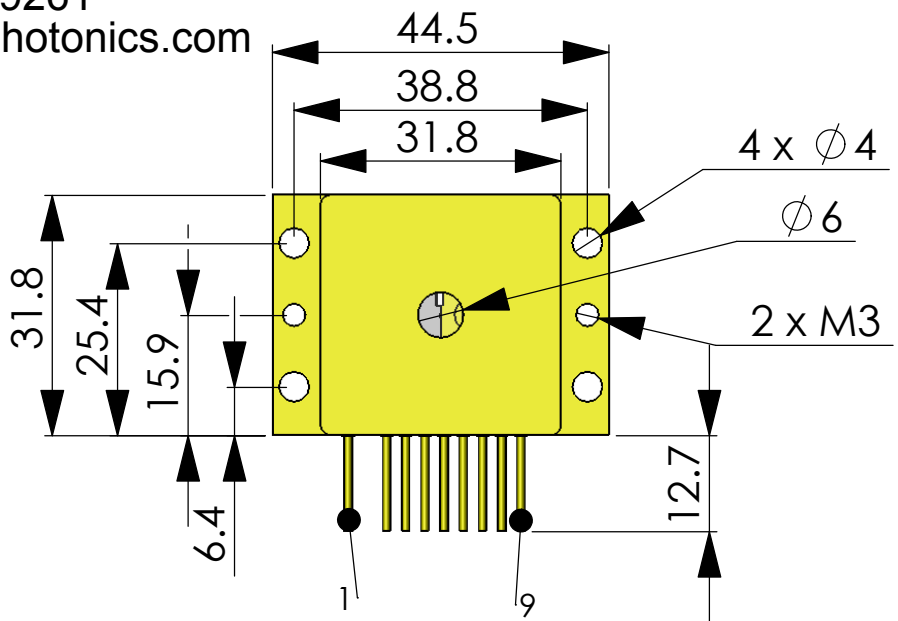


45 Bartlett Street
 Marlborough, MA 01752
 (P)508-481-9200
 (F)508-481-9261
 www.axcelphotonics.com

High Heat Load Package with Window



NOTES:

1. unit:mm[inch]

PIN OUT:

- 1. TEC(-)
- 2. Case
- 3. Laser Anode(+)
- 4. Thermister
- 5. Thermister
- 6. Laser Cathode(-)
- 7. PD Anode, Connect to V-
- 8. PD Cathode, Connect to V+
- 9. TEC(+)

THIS DRAWING IS THE PROPERTY OF AXCEL PHOTONICS. IT IS NOT TO BE COPIED, USED OR REPRODUCED WITHOUT PRIOR WRITTEN APPROVAL.

