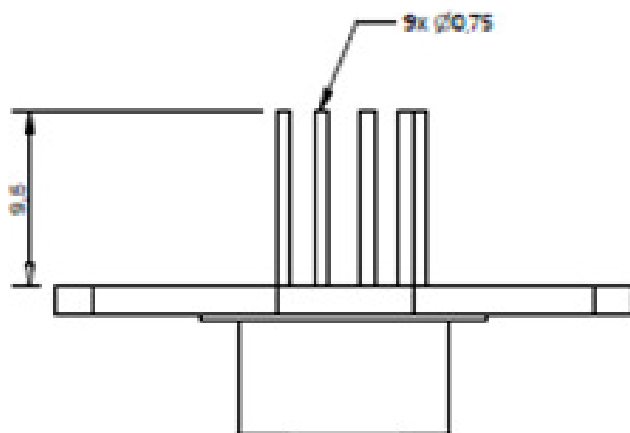
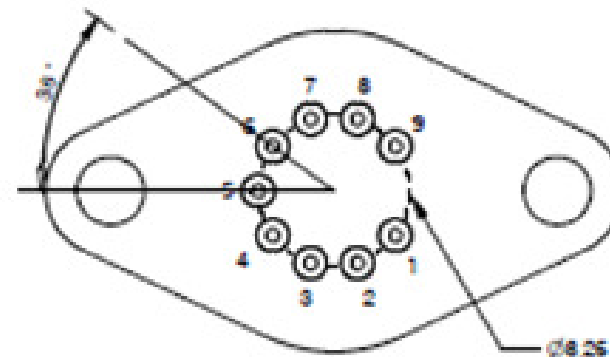
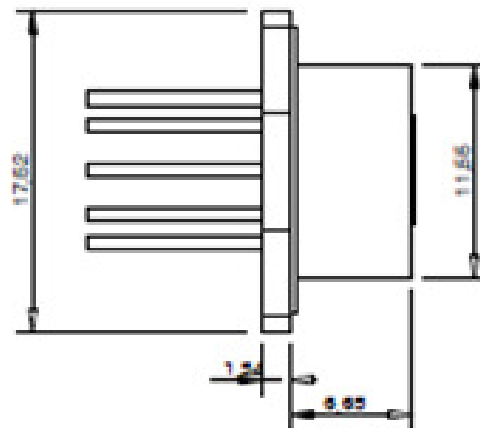
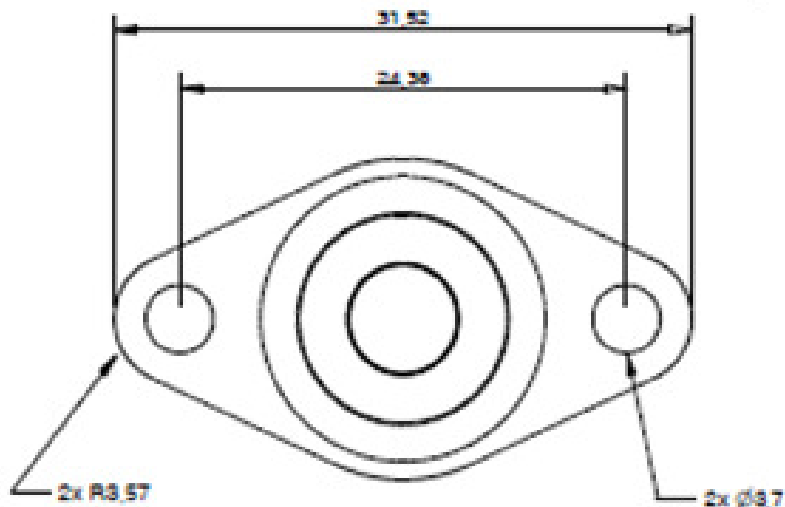
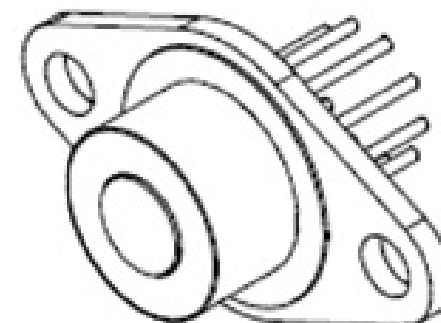



RevNo	Revision note	Date	Signature	Checked
-------	---------------	------	-----------	---------



Pin Assignment:

- 1: TEC (+)
- 2: NTC
- 3: NTC
- 4: n/c (optional: PD)
- 5: n/c (optional: PD)
- 6: LD (-)
- 7: LD (+)
- 8: n/c
- 9: TEC (-)



Itemref	Quantity	TO66 w cap		Article No./Reference	
Drawn by W.Z.	Date 2013-03-25	Approved by - date	Material	File name	Scale
Nanosystems and Technologies GmbH 		nanoplus Nanosystem and Technologies GmbH Oberer Kirschberg 4, 97218 Gerbrunn, Germany © copyright nanoplus GmbH 2012, all rights reserved. nanoplus GmbH reserves the right to modify these specifications at any time without notice and is not liable for errors.		Drawing No.	Edición
				All dimensions are in mm	Sheet