

1064nm 100mw SM Laser Diode with PD

1060nm | Single Mode LD | 100mw Output Power | 9mm TO5 Package | Built-in Photodiodes

WSLD-1064-100m-2-PD

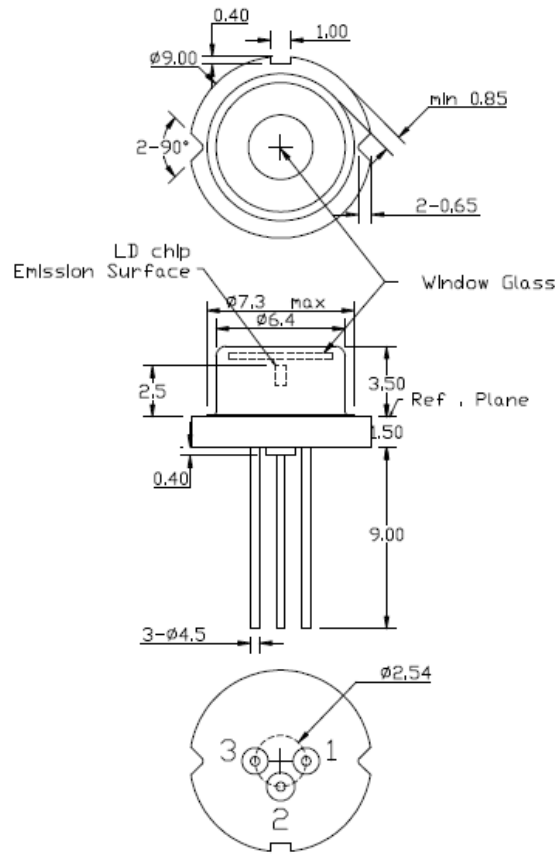
Wavespectrum Laser Group

www.wavespectrum-laser.com

1064nm Laser Diode	100mw	Wavespectrum Laser Group	
Reverse Voltage	V_r	2.0	V
Operating Temperature	T_{op}	-10 ~ +60	°C
Storage Temperature	T_{stg}	-40 ~ +80	°C
Lead soldering temperature (10 sec.)	T_{is}	260	°C
Features: <ul style="list-style-type: none"> 1064nm Built-in PD Single Mode LD TO5 Package 			
Applications: <ul style="list-style-type: none"> Medical laser treatment Laser indicator Others 			
Specifications	WSLD-1064-100m-2-PD		
	Min	Type	Max
Center Wavelength@25°C	+/-3nm	1064nm	+/-10nm
Spectral Width (FWHM)	----	1nm	1.5nm
Output Power	----	100mw	----
Emitter Size	----	3um*1.5um	----
Beam Divergence (FWHM)	35°± x 15°//	38°± x 18°//	50°± x 25°//
Recommend Operating Temperature	25°C		
Slope Efficiency	----	0.6mW/mA	0.9mW/mA
Threshold Current (Typ.)	30mA	40mA	50mA
Operating Current (Typ.)	----	190mA	210mA
Operating Voltage	----	1.6V	1.8V
Monitor Current	----	0.30uA	0.50uA
Package Style	TO18		



TO5(9mm) Package View



1	LD(-)
2	LD(+)&PD(-)
3	PD(+)

Electrically shorten LD module and store in non-extreme conditions.

Suggest using the constant current power supply.

