


1064nm 150mw SM Laser Diode with PD

1060nm | Single Mode LD | 150mw Output Power | 9mm TO5 Package | Built-in Photodiodes

WSLD-1064-150m-2-PD

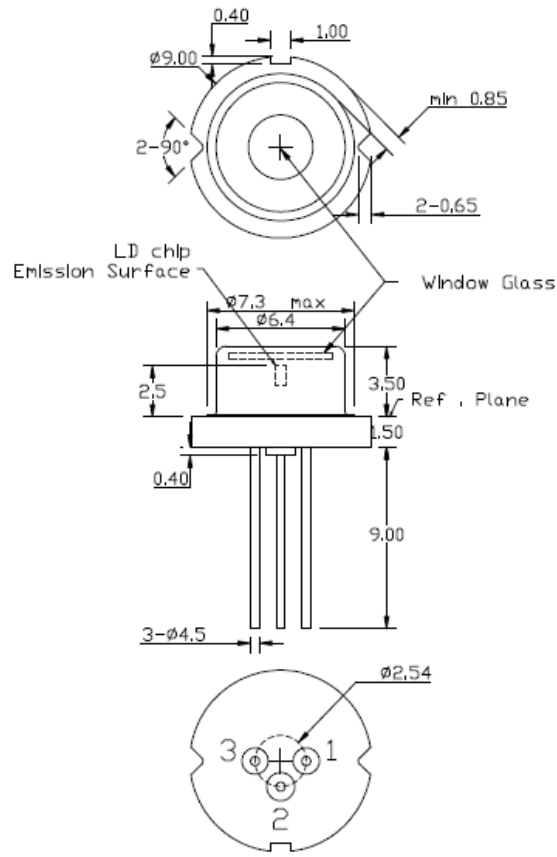
Wavespectrum Laser Group

www.wavespectrum-laser.com

| 1064nm Laser Diode | 150mw | Wavespectrum Laser Group | |
|---|---|--------------------------|--------------|
| Reverse Voltage | V_r | 2.0 | V |
| Operating Temperature | T_{op} | -10 ~ +60 | °C |
| Storage Temperature | T_{stg} | -40 ~ +80 | °C |
| Lead soldering temperature (10 sec.) | T_{is} | 260 | °C |
| Features: <ul style="list-style-type: none"> 1064nm Built-in PD Single Mode LD TO5 Package |  | | |
| Applications: <ul style="list-style-type: none"> Medical laser treatment Laser indicator Others | | | |
| Specifications | WSLD-1064-150m-2-PD | | |
| | Min | Type | Max |
| Center Wavelength@25°C | +/-3nm | 1064nm | +/-10nm |
| Spectral Width (FWHM) | ---- | 1nm | 1.5nm |
| Output Power | ---- | 150mw | ---- |
| Emitter Size | ---- | 3um*1.5um | ---- |
| Beam Divergence (FWHM) | 35°± x 15°// | 38°± x 18°// | 50°± x 25°// |
| Recommend Operating Temperature | 25°C | | |
| Slope Efficiency | ---- | 0.6mW/mA | 0.9mW/mA |
| Threshold Current (Typ.) | 30mA | 40mA | 50mA |
| Operating Current (Typ.) | ---- | 250mA | 270mA |
| Operating Voltage | ---- | 1.7V | 2.0V |
| Monitor Current | ---- | 0.40uA | 0.80uA |
| Package Style | TO18 | | |



TO5(9mm) Package View



| | |
|----------|------------------------|
| 1 | LD(-) |
| 2 | LD(+)&PD(-) |
| 3 | PD(+) |

Electrically shorten LD module and store in non-extreme conditions.

Suggest using the constant current power supply.

