

635nm 180mw Single Mode Laser Diode| SMLD

635nm 5.6mm Package|180mw| SMLD

WSLD-635-180m-1

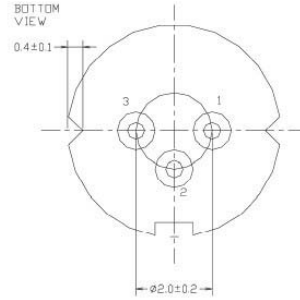
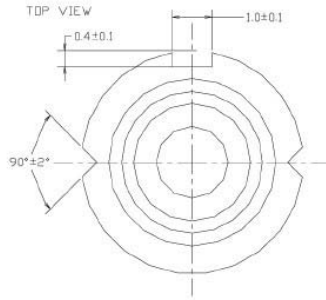
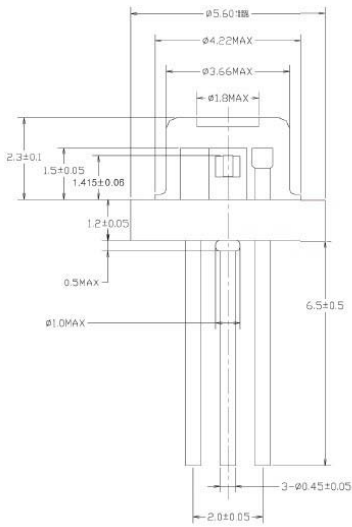
Wavespectrum Laser, Inc.

www.wavespectrum-laser.com

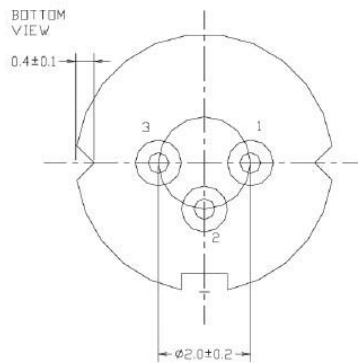
635nm Laser Diode		180mw		Wavespectrum Laser, Inc	
PARAMETER	SYMBOL	VALUE		UNIT	
Reverse Voltage	V _r	2.0		V	
Operating Temperature	T _{op}	-10 ~ +40		°C	
Storage Temperature	T _{stg}	-40 ~ +85		°C	
Lead soldering temperature (10 sec.)	T _{is}	260		°C	
Features: <ul style="list-style-type: none"> 635nm Single Mode beam 5.6mm Package 					
Applications: <ul style="list-style-type: none"> Medical laser treatment Laser indicator Others 					
Specifications		WSLD-635-180m-1			
		Min	Type	Max	
Center Wavelength@25°C		632nm	638nm	643nm	
Recommended Temperature		25 °C			
Output Power		----	180mW	----	
Beam Mode		Single Mode			
Beam Divergence (FWHM)		13°± x 5°//	17°± x 8.5°//	23°± x 13°//	
Monitor Current		----			
PD Reverse Voltage		----			
PD Forward Current		----			
Slope Efficiency		----	1.1mW/mA	1.3mW/mA	
Threshold Current (Typ.)		----	60mA	85mA	
Operating Current (Typ.)		----	270mA	320mA	
Operating Voltage		----	2.7V	3.3V	
Package Style		5.6mm			



TO18(5.6mm) Package View



PIN Bottom View:



1	LD(+)
2	GND
3	LD(-)

Electrically shorten LD module and store in non-extreme conditions.
Suggest using the constant current power supply.

